

**Department of Mathematics and Computer Science Checklist of Requirements  
For Students Declaring Their Major Fall 2012 or Later. 05/12/2012**

**B.S in Computer Science**

**Computer Science Courses**

Class	Hrs
CSC 110 Survey of Computer Science	1 _____
CSC 150 Computer Science 1	3 _____
CSC 250 Computer Science 2	4 _____
CSC 251 Finite Structures	4 _____
CSC 300 Data Structures	4 _____
CSC 314 Assembly Language	3 _____
CSC 317 Computer Org & Arch	3 _____
CSC 372 Analysis of Algorithms	3 _____
CSC 421 Graphical User Interfaces	3 _____
CSC 456 Operating Systems	4 _____
CSC 461 Programming Languages	3 _____
CSC 465 Senior Design I	2 _____
CSC 467 Senior Design II	2 _____
CSC 470 Software Engineering	3 _____
CSC 484 Database Management	3 _____
Upper Level CSC Elective *	3 _____
Upper Level CSC Elective *	3 _____
Upper Level CSC Elective *	3 _____
Upper Level CSC Elective *	3 _____
Total (minimum)	57 credits

\* A minimum of four (4) computer science elective courses numbered 400 or above must be taken. A three (3)-credit Co-op may be substituted for one computer science elective. Special topics and independent study courses may not be used to satisfy the computer science elective requirement.

**Science Courses**

Class	Hrs
PHYS 211 University Physics I	3 _____
Science Requirement **	3 _____
Science Requirement **	3 _____
Science Lab **	1 _____
Science Lab **	1 _____
Total	11 credits

\*\* See list at the end of the next column for details on the science requirement.

**Mathematics Courses**

Class	Hrs
MATH 123 Calculus 1	4 _____
MATH 125 Calculus 2	4 _____
MATH 225 Calculus 3	4 _____
MATH 315 Linear Algebra	3 _____
MATH 381 Intro to Prob & Stats	3 _____
MATH Elective +	3 _____
Total	21 credits

+ At least three credits of a math lecture course that is at the 300 or 400 level course except Math 373 or Math 486

**Arts/Humanities & Social Sciences\*\*\***

*(General Education requirement is 12 credits)*

ENGL 101 Composition I	3 _____
ENGL 279 Tech Comm I	3 _____
ENGL 289 Tech Comm II	3 _____
Social Sciences	3 _____
Social Sciences	3 _____
Arts / Hum	3 _____
Arts / Hum	3 _____
Additional Hum/SS course	3 _____
Free Elective Credit #	7 _____
Total	31 credits

\*\* Students must take three science courses with two accompanying labs. These courses must be selected from at least two different disciplines, and one science course must be PHYS 211. List of Science courses for the science requirement: PHYS 213, CHEM 112, CHEM 114, BIOL 151, BIOL 153, BIOL 121, BIOL 123, BIOL 231, and GEOL 201.

\*\*\*All majors must complete a minimum of 15 credits in the area of Humanities & Social Sciences

# All majors must complete a minimum of 120 total credits. Please note that MATH 021, MATH 101, MATH 102, MATH 120, CSC 105, PHYS 111, PHYS 113, CHEM 106, and CHEM 108 will not count toward the major.

**Student Name:**

# Computer Science

Latest Revision: May 11, 2012

Spare block	

## CS Electives

(4 courses are required)

CSC 300 →	CSC 410	3	SO
CSC 300 →	CSC 412	3	
MATH 413			
CSC 300 →	CSC 415	3	F
Math 321			
CSC 415 →	CSC 416	3	
CSC 300 →	CSC 433	3	FE
Math 225			
CSC 251 →	CSC 445	3	SO
CSC 300 →	CSC 447	3	FO
CSC 300 →	CSC 449	3	FE
Math 381			
CSC 300 →	CSC 464	3	SO
Math 125			
Ceng 244 →	CENG 444	4	
MATH 381			

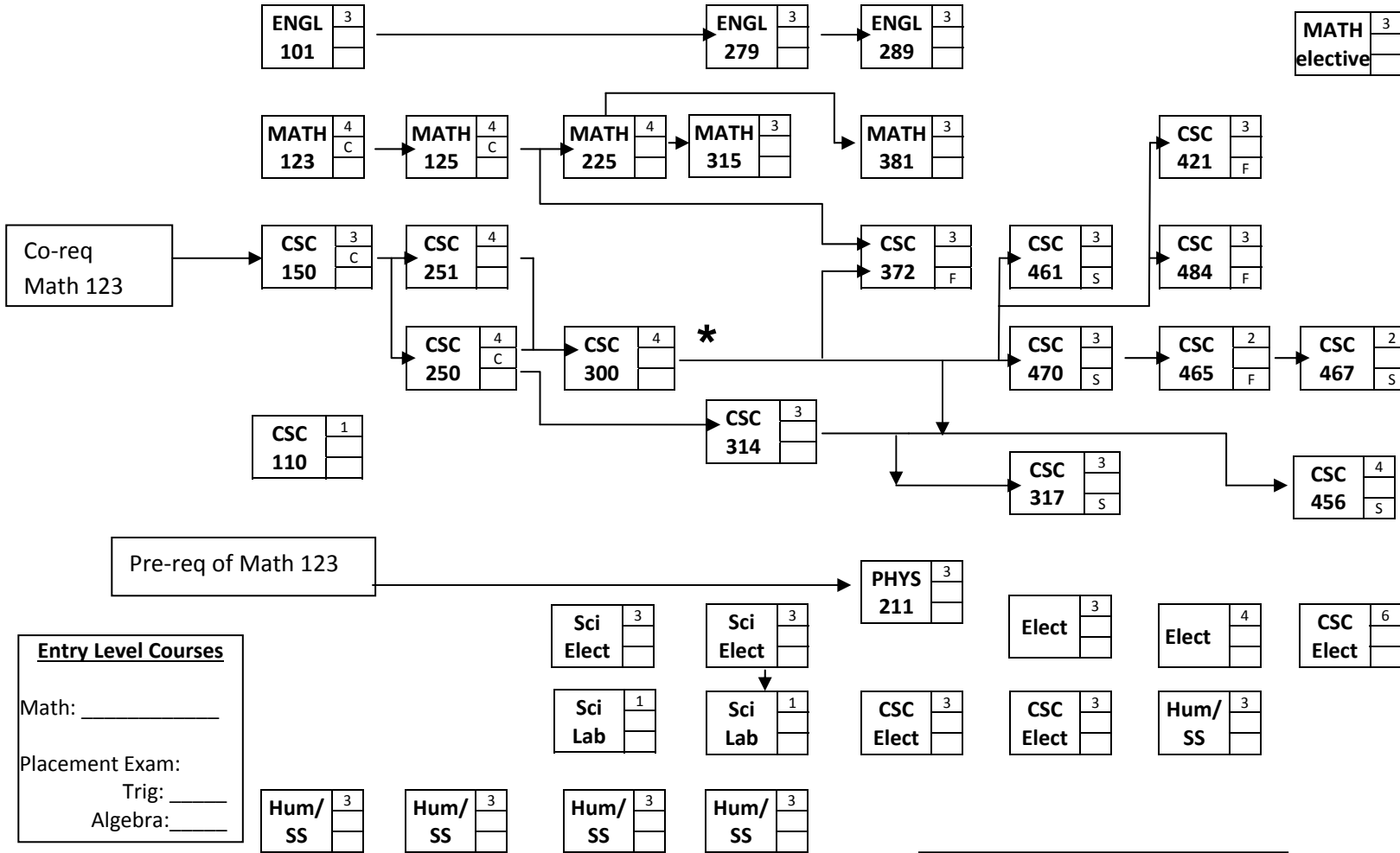
CO-OP	3

### Freshman

### Sophomore

### Junior

### Senior



ENGL 101	3

MATH 123	4	C

CSC 150	3	C

CSC 110	1	

MATH 125	4	C

CSC 251	4	

CSC 250	4	C

MATH 225	4	

CSC 300	4	*

ENGL 279	3	

MATH 315	3	

CSC 314	3	

ENGL 289	3	

MATH 381	3	

CSC 372	3	F

CSC 470	3	S

CSC 317	3	S

Elect	3	

CSC Elect	3	

CSC 421	3	F

CSC 461	3	S

CSC 484	3	F

CSC 477	2	S

Elect	4	

Hum/SS	3	

MATH elective	3	

CSC 456	4	S

CSC Elect	6	