

**Department of Mathematics and Computer Science Checklist of Requirements
For Students Declaring Their Major Fall 2011 or Later. 07/19/2011**

B.S in Computer Science

Computer Science Courses

Class	Hrs
CSC 150 Computer Science 1	3_____
CSC 250 Computer Science 2	4_____
CSC 251 Finite Structures	4_____
CENG 244 Intro to Digital Systems	4_____
CSC 300 Data Structures	4_____
CSC 314 Assembly Language	4_____
CSC 317 Computer Org & Arch	4_____
CSC 372 Analysis of Algorithms	3_____
CSC 421 Graphical User Interfaces	3_____
CSC 456 Operating Systems	4_____
CSC 461 Programming Languages	3_____
CSC 465 Senior Design I	2_____
CSC 467 Senior Design II	2_____
CSC 470 Software Engineering	3_____
CSC 484 Database Management	3_____
Upper Level CSC Elective *	3/4_____
Upper Level CSC Elective *	3/4_____
Upper Level CSC Elective *	3/4_____
Total (minimum)	59 credits

* A minimum of three (3) computer science elective courses numbered 400 or above must be taken. A three (3)-credit Co-op may be substituted for one computer science elective. Special topics and independent study courses may not be used to satisfy the computer science elective requirement.

Science Courses

Class	Hrs
PHYS 211 University Physics I	3_____
Science Requirement **	3_____
Science Requirement **	3_____
Science Lab **	1_____
Science Lab **	1_____
Total	11 credits

** Students must take three science courses with two accompanying labs. These courses must be selected from at least two different disciplines, and one science course must be PHYS 211. See list at the end of the next column for all courses that can count.

Mathematics Courses

Class	Hrs
MATH 123 Calculus 1	4_____
MATH 125 Calculus 2	4_____
MATH 225 Calculus 3	4_____
MATH 321 Differential Equations	3_____
MATH 315 Linear Algebra	3_____
MATH 381 Intro to Prob & Stats	3_____
Total	21 credits

Arts/Humanities & Social Sciences***

(General Education requirement is 12 credits)

ENGL 101 Composition I	3_____
ENGL 279 Tech Comm I	3_____
ENGL 289 Tech Comm II	3_____
Social Sciences	3_____
Social Sciences	3_____
Arts / Hum	3_____
Arts / Hum	3_____
HUM 375 Computers in Society	3_____
PE + +	1_____
PE + +	1_____
Additional Hum/SS courses	1_____
Total	27 credits

+ +MUEN 101, 121, 122 can be used to substitute for one or two of the required two Physical Education credits

**List of Science courses for the science requirement: PHYS 213, CHEM 112, CHEM 114, BIOL 151, BIOL 153, BIOL 121, BIOL 123, BIOL 231, and GEOL 201.

***All majors must complete a minimum of 16 credits in the area of Humanities & Social Sciences

*** All majors must complete a minimum of 128 total credits. Please note that MATH 021, MATH 101, MATH 102, MATH 120, CSC 105 PHYS 111, PHYS 113, CHEM 106, and CHEM 108 will not count toward the major.

Student Name:

Computer Science

Latest Revision: July 26, 2011

Spare	
block	

CS Electives

(3 courses are required)

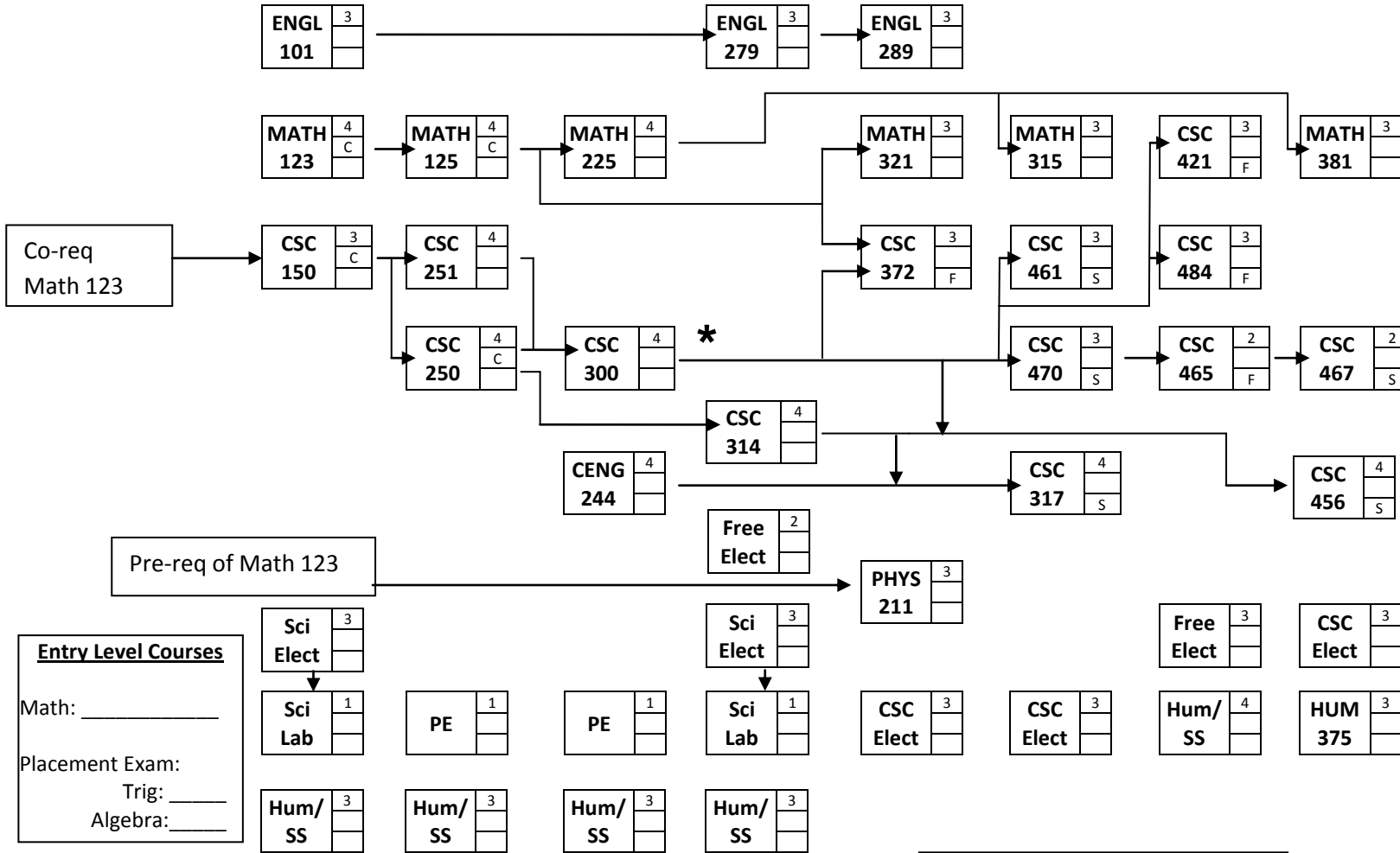
CSC 300 →	CSC	3
MATH 225	433	FE
CSC 300 →	CSC	2-1
MATH 321	415	F
CSC 300 →	CSC	3
	447	FO
CSC 251 →	CSC	3
	445	SO
CSC 415 →	CSC	3
	416	S
CSC 300 →	CSC	3
MATH 125	464	SO
CSC 300 →	CSC	3
MATH 381	449	FE
CSC 300 →	CSC	3
	410	SE
Ceng 244 →	CENG	4
MATH 381	444	
	CO-OP	3

Freshman

Sophomore

Junior

Senior



ENGL	3
101	

ENGL	3
279	

ENGL	3
289	

MATH	4
123	C

MATH	4
125	C

MATH	4
225	

MATH	3
321	

MATH	3
315	

CSC	3
421	F

MATH	3
381	

CSC	3
150	C

CSC	4
251	

CSC	4
250	C

CSC	4
300	

CSC	3
372	F

CSC	3
461	S

CSC	3
484	F

CSC	4
300	

CSC	4
314	

CSC	3
470	S

CSC	2
465	F

CSC	2
467	S

CENG	4
244	

CSC	4
314	

CSC	4
317	S

CSC	4
456	S

Free	2
Elect	

PHYS	3
211	

Sci	3
Elect	

Sci	1
Lab	

PE	1
	

PE	1
	

Sci	1
Lab	

CSC	3
Elect	

CSC	3
Elect	

Free	3
Elect	

CSC	3
Elect	

Hum/	3
SS	

Hum/	3
SS	

Hum/	3
SS	

Hum/	3
SS	

Free	3
Elect	

HUM	3
375	